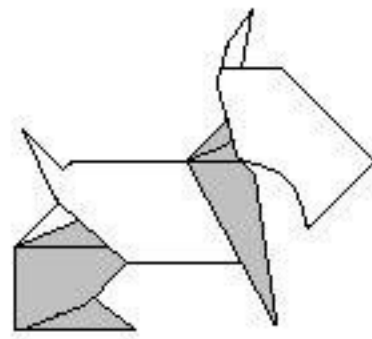
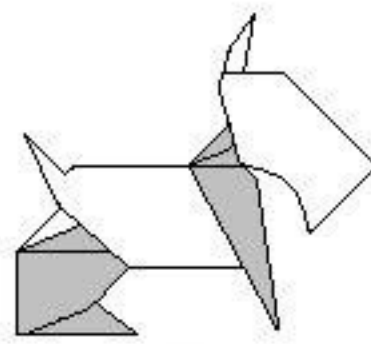
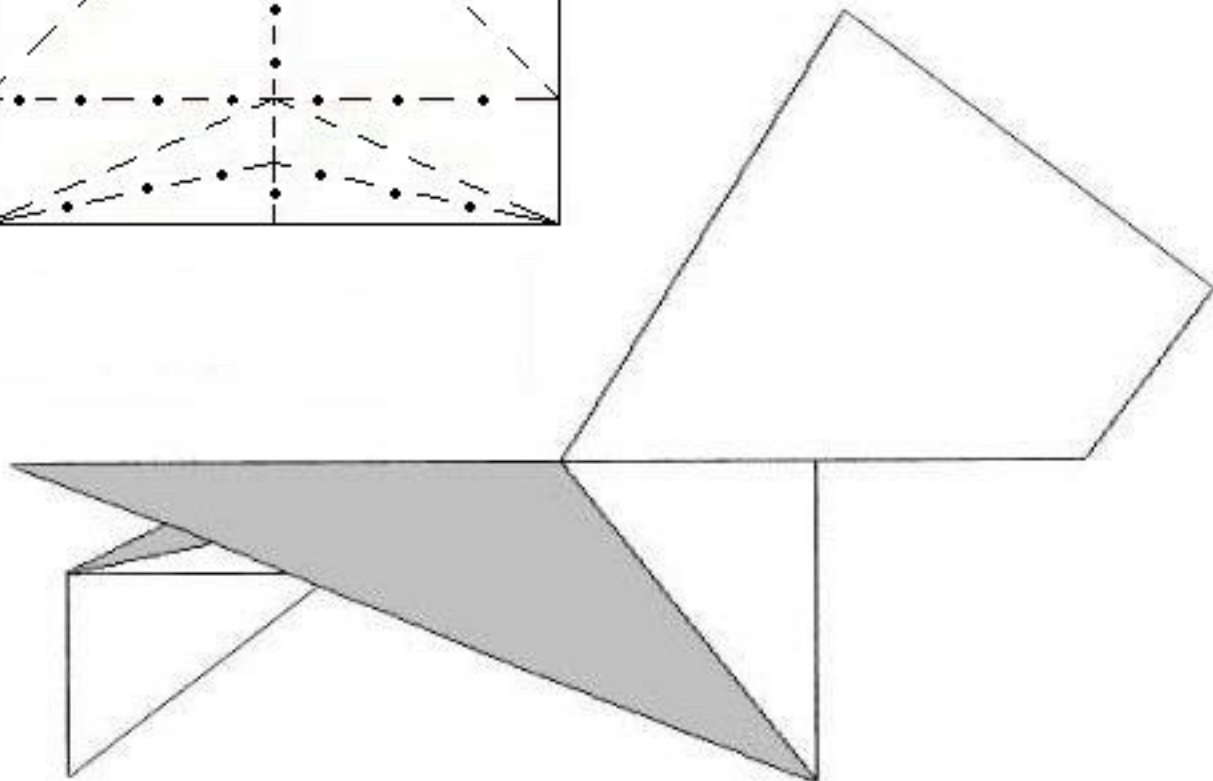
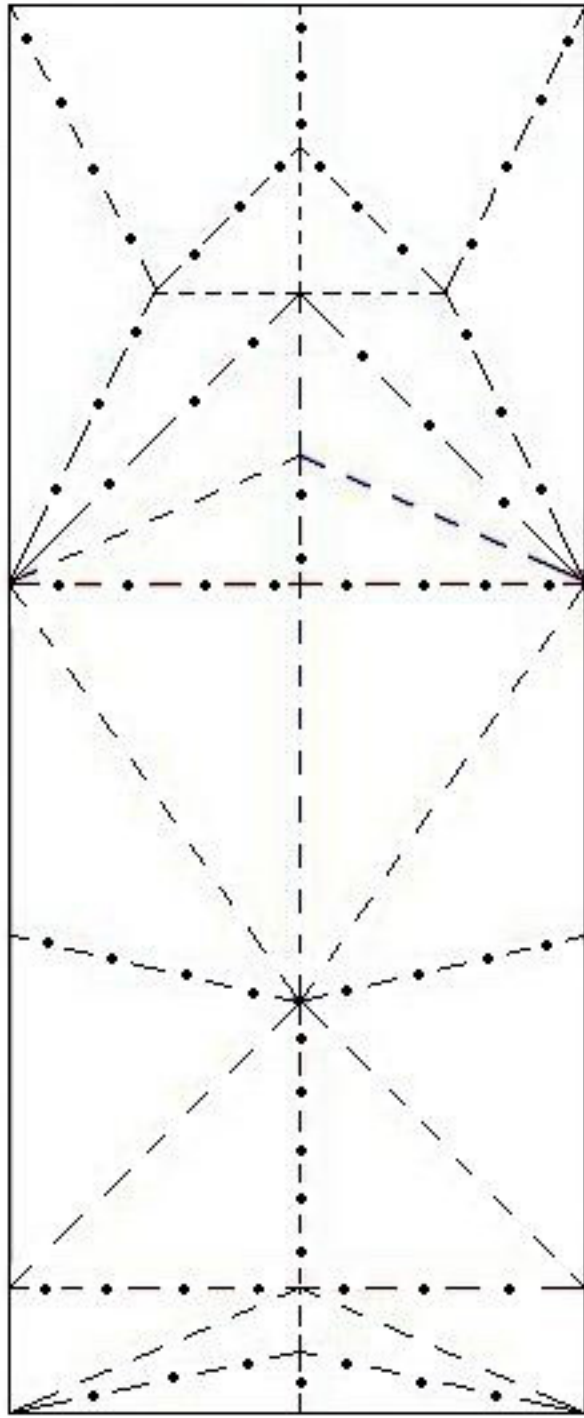
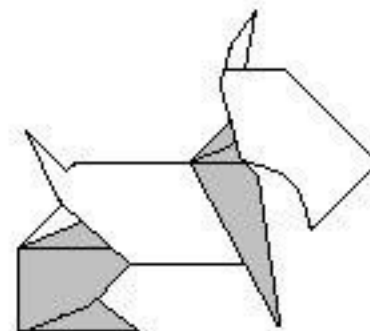
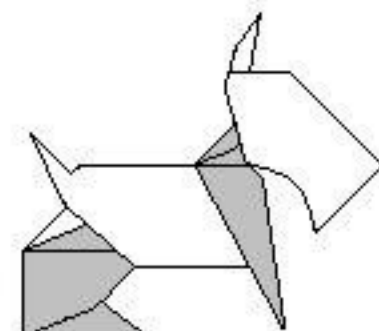


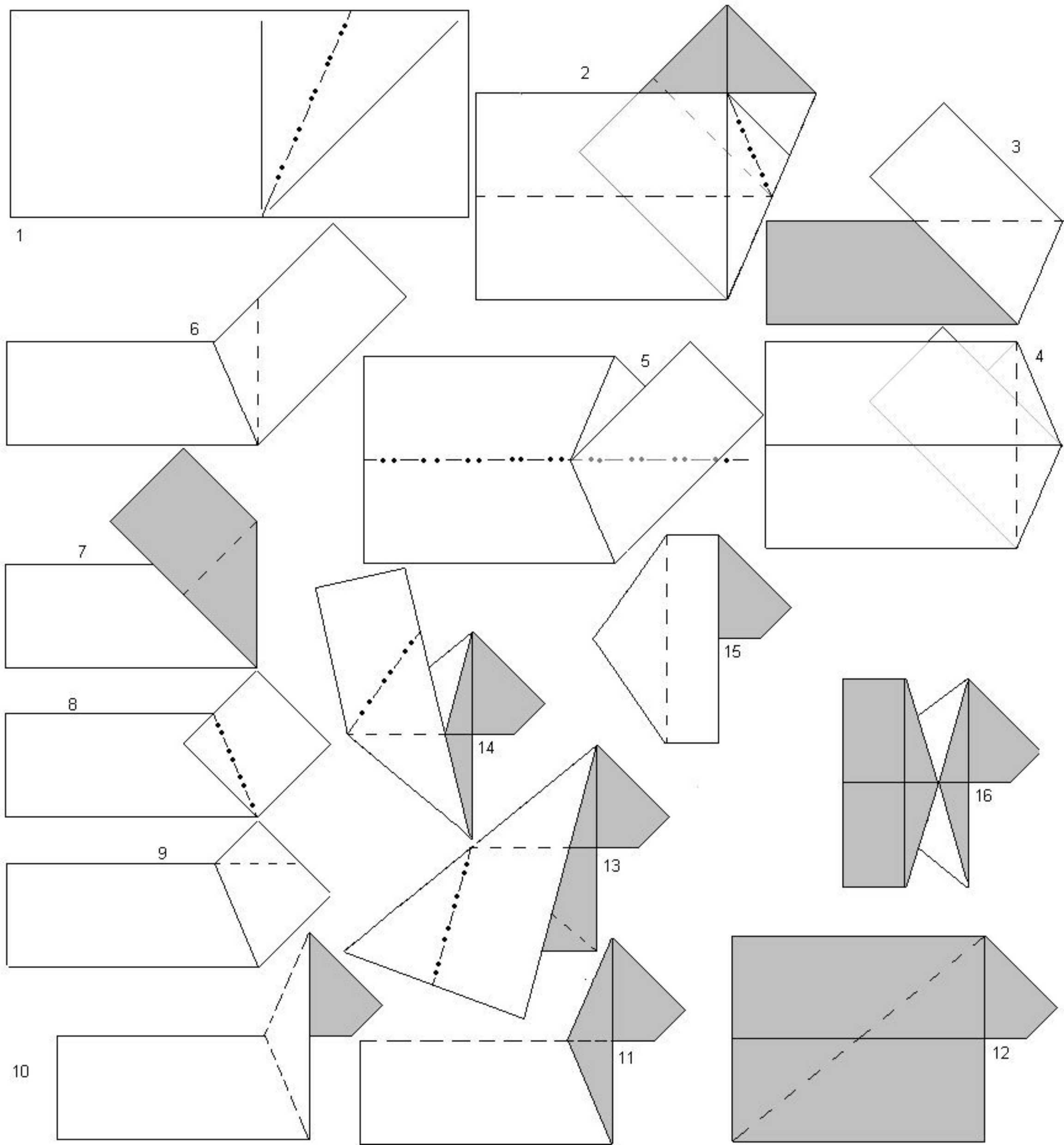
Scottish Terrier

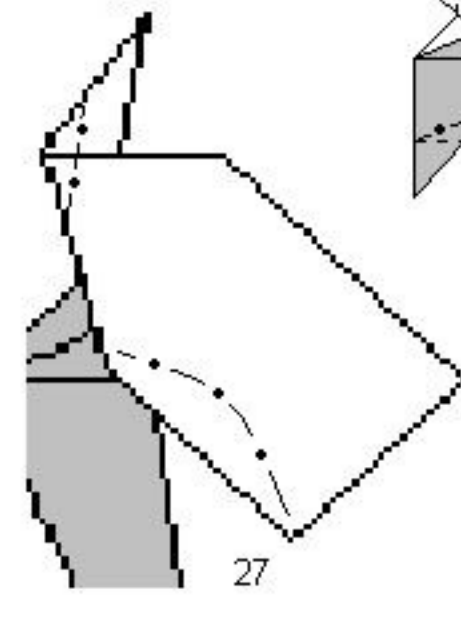
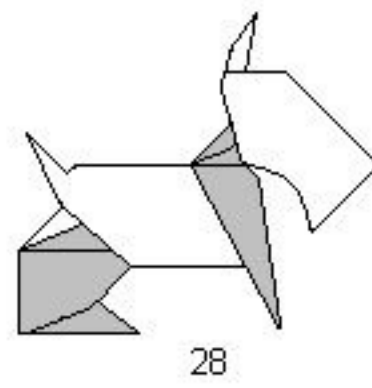
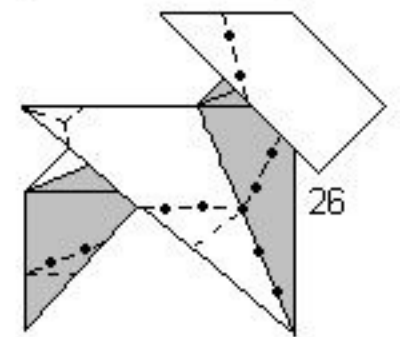
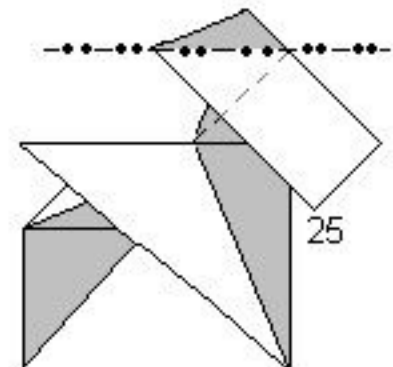
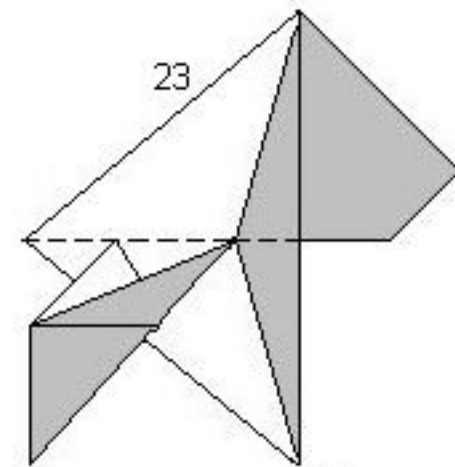
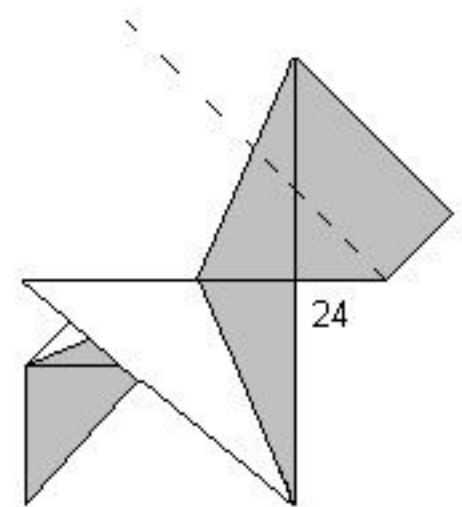
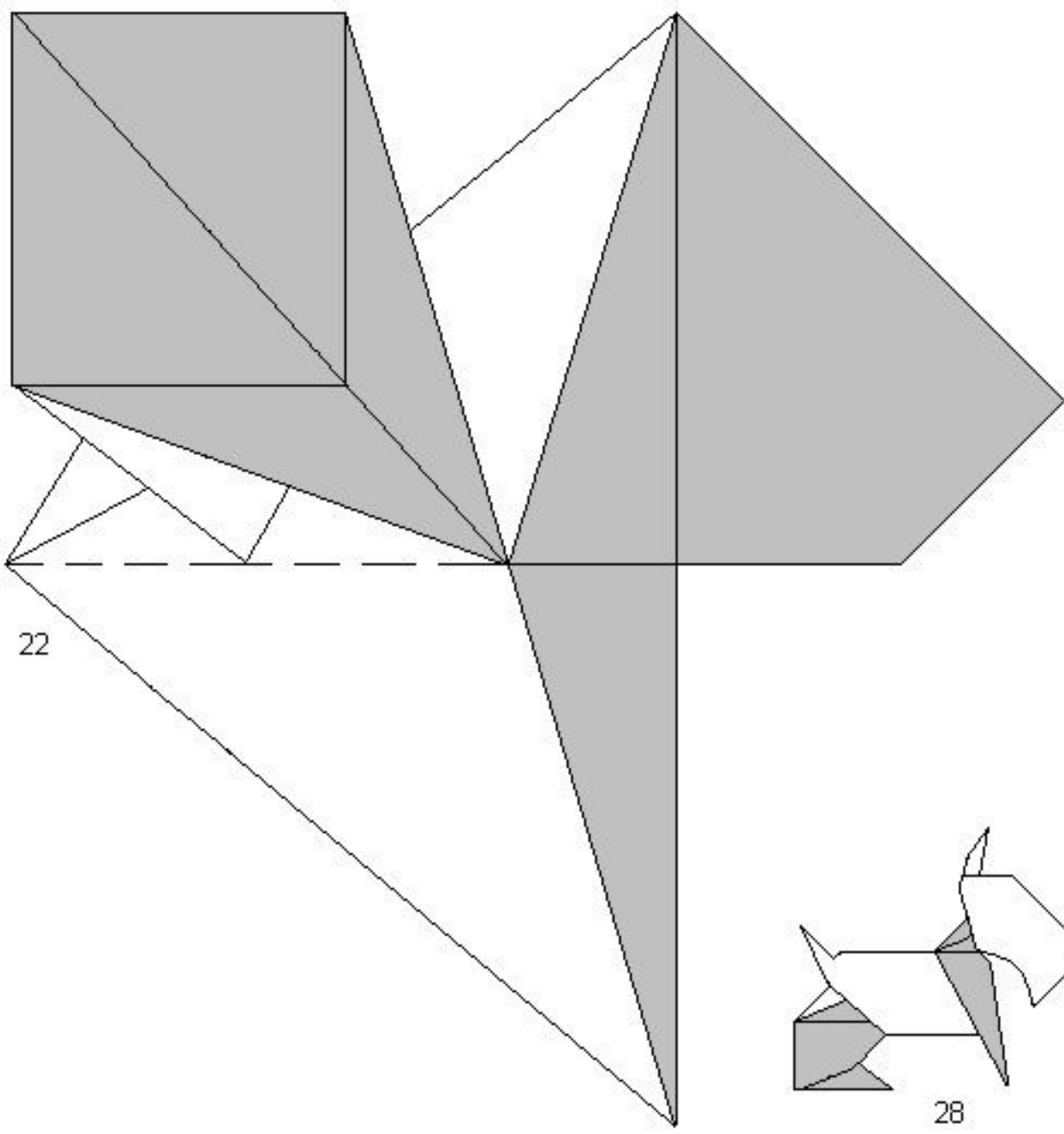
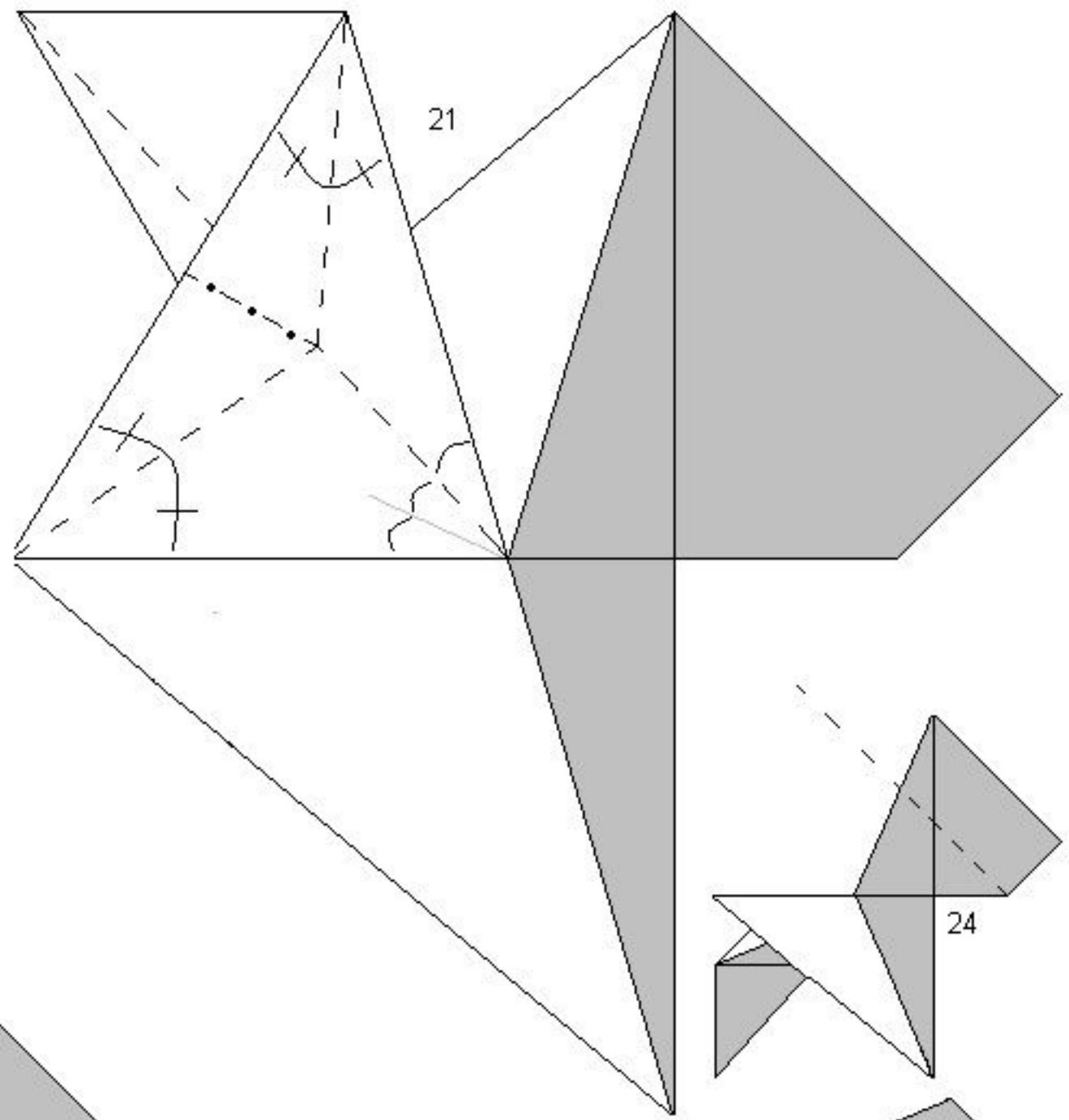
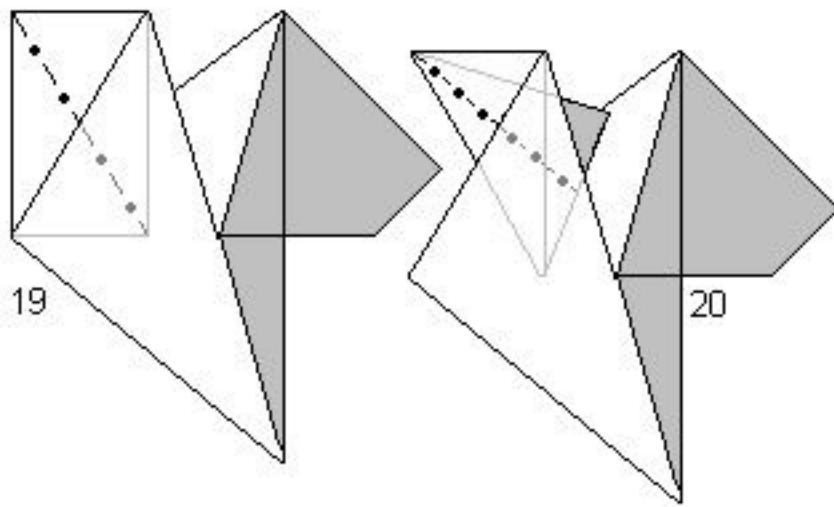
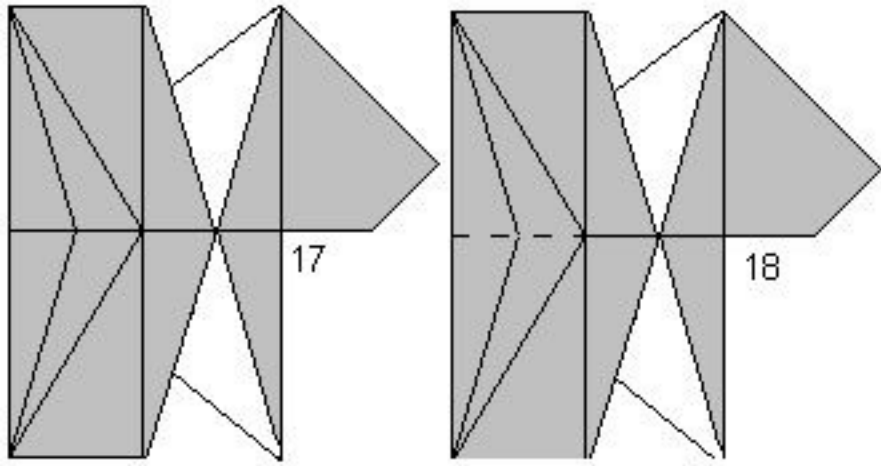
By Matthew Dunstan

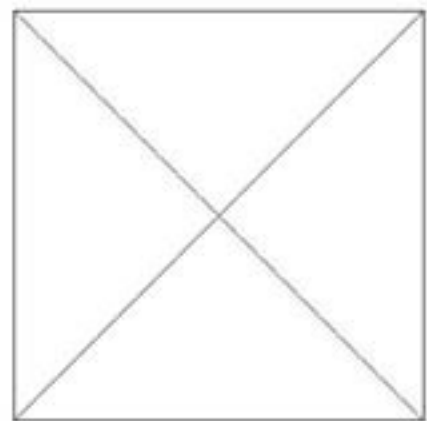


1. Bisect the angle.
2. Squash fold.
3. Valley fold.
4. Valley fold.
5. Mountain fold.
6. Wrap around.
7. Wrap around.
8. Reverse fold.
9. Wrap around.
10. Wrap around.
11. Valley fold.
12. Valley fold.
13. Squash fold.
14. Squash fold.
15. Valley fold.
16. Proceed to step 17.
17. Precrease.
18. Valley fold.
19. Reverse fold the center flap.
20. Reverse fold the center flap again.
21. Collapse with partial rabbit ear.
22. Valley fold both flaps repeat step 21 on other side.
23. Valley fold.
24. Wrap around.
25. Reverse fold.
26. Pinch tail. Mountain fold ears. Crimp back feet. Shape front legs.
27. Mountain fold ears & jaw.
28. Finished

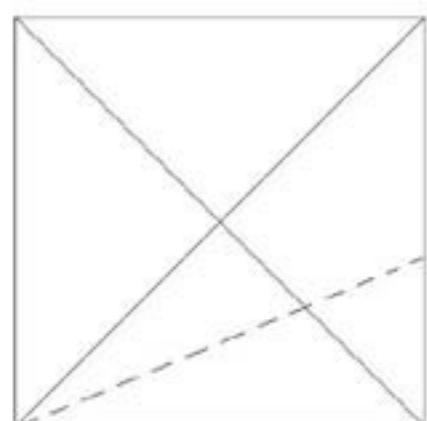




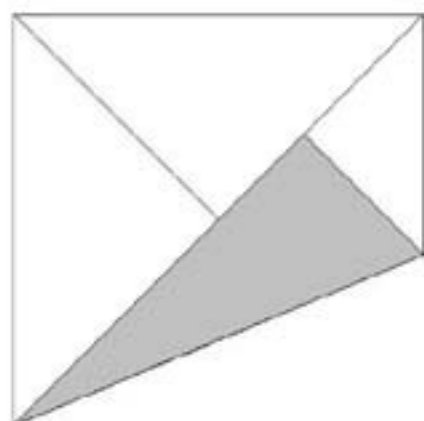




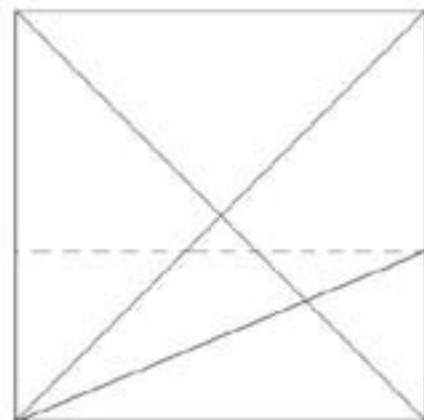
Step 1.
Precrease.



Step 2.
Valley fold.



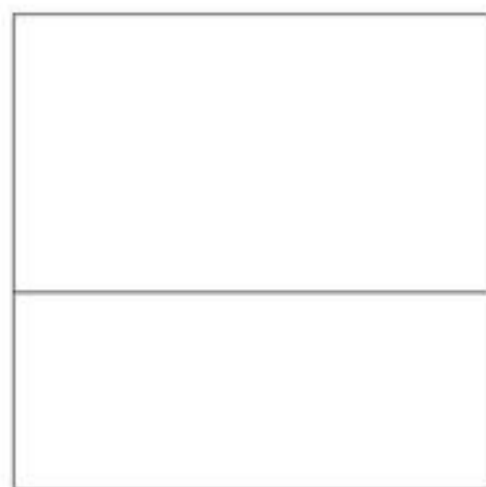
Step 3.
Unfold.



Step 4.
Valley fold.



Step 5.
Unfold.



Step 6.
Cut.



Step 7.
Use Bottom rectangle.



Step 8.
Finished.



Scottish Terrier
Photo Instructions
2005
by
Matthew Dunstan



A visual aid
to help with
the folding process
of the actual diagrams.















