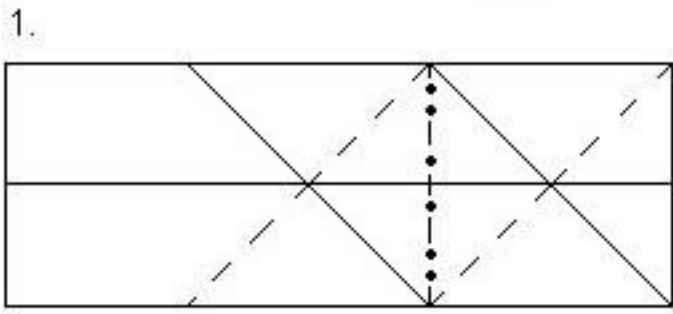
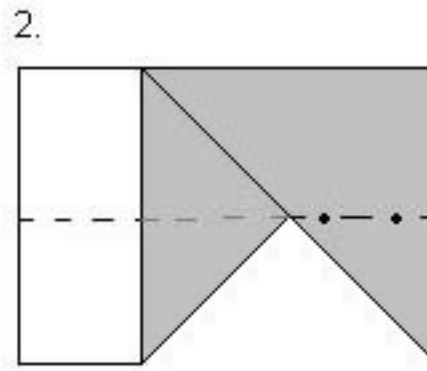




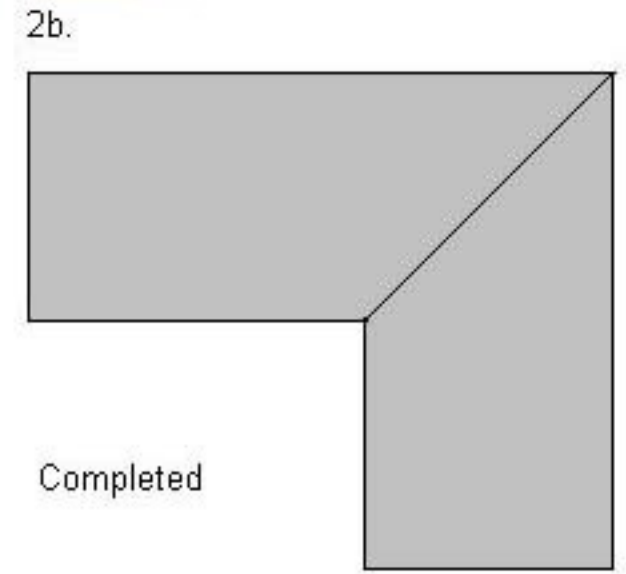
**\$ Grassland Animal / \$ Resting Feline**  
 By  
 Matthew Dunstan  
 2005



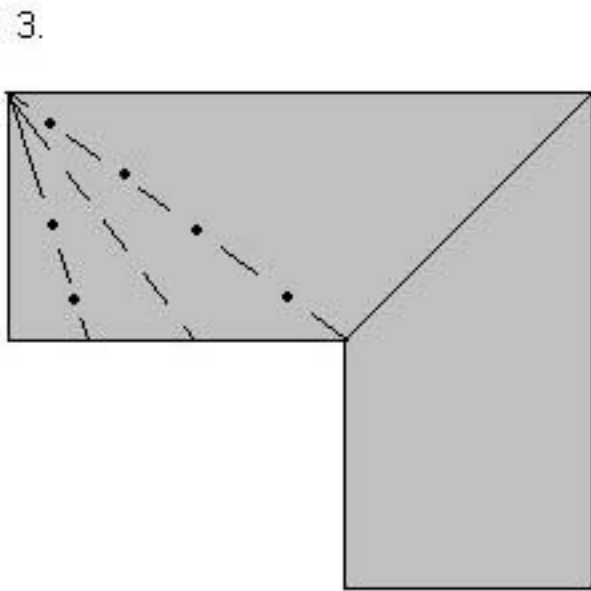
Precrease and fold.



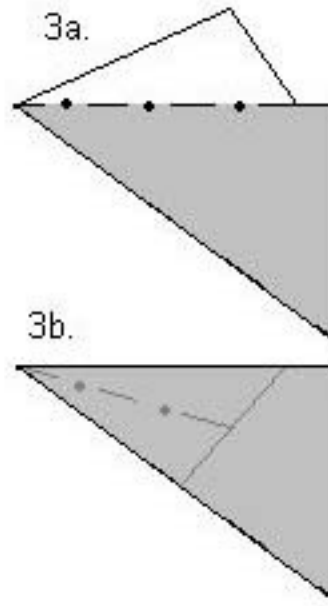
Collapse.



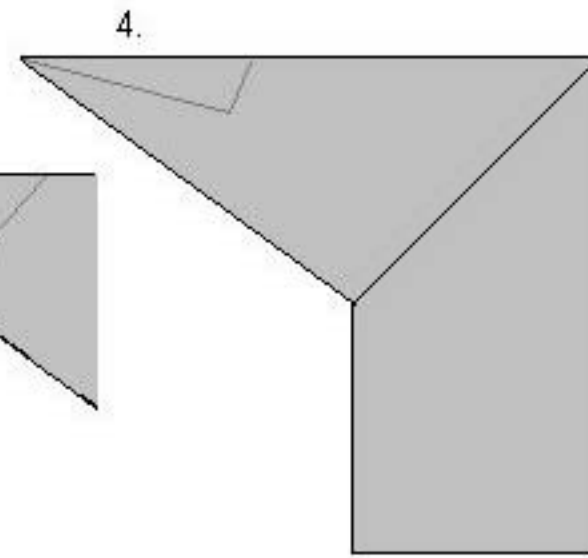
Completed



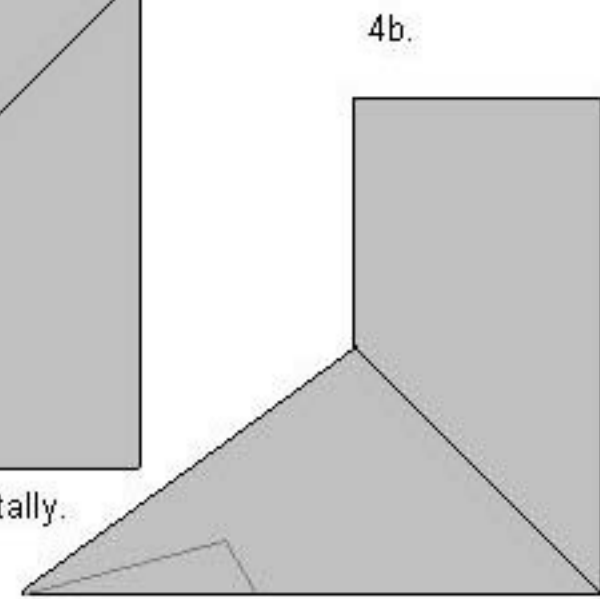
3 inside reverse folds.  
 Divide by 3rds.



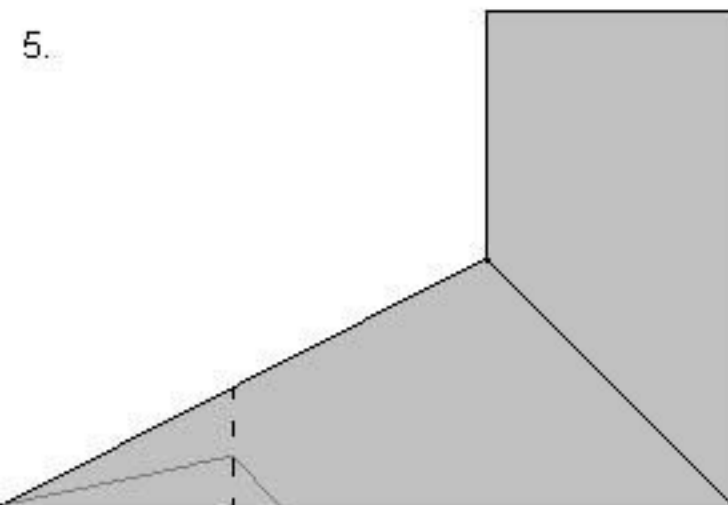
Step 3 in progress.



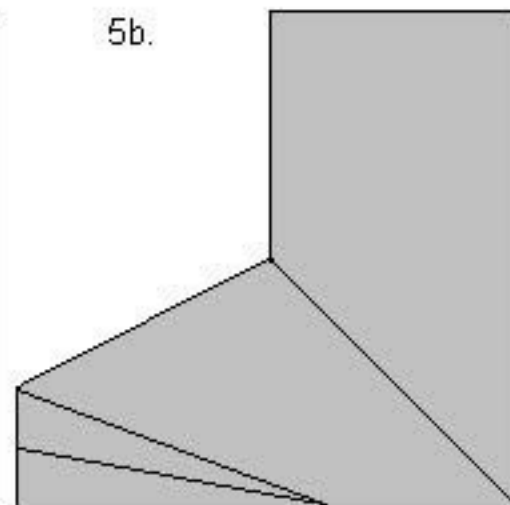
Flip model horizontally.



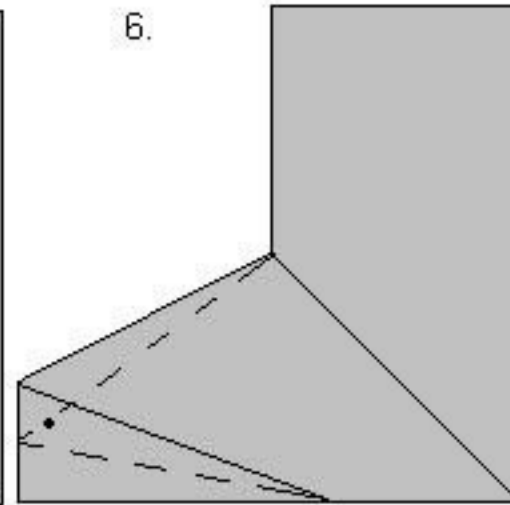
View of model after flip.



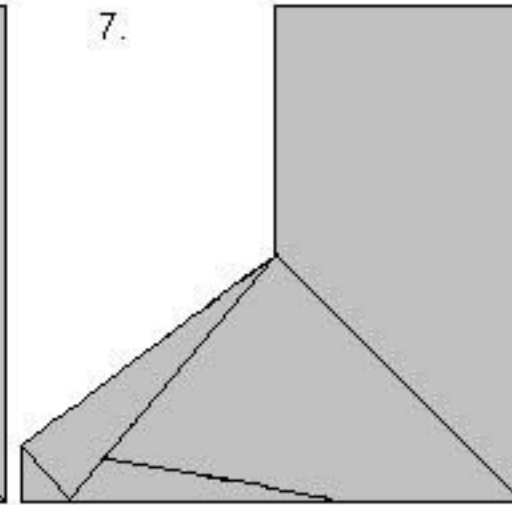
Valley fold flap.  
 Repeat behind.



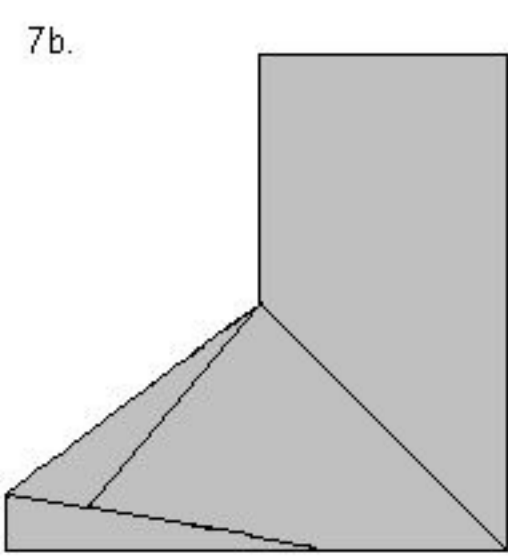
Model view after  
 folding flaps.



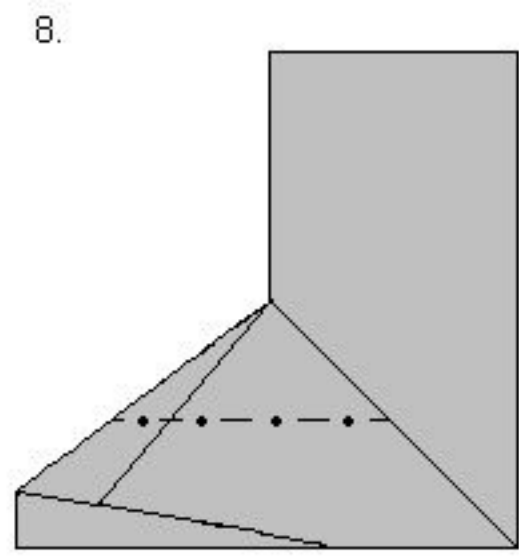
Collapse edge,  
 Valley fold both parts  
 simultaneously.  
 Repeat behind.



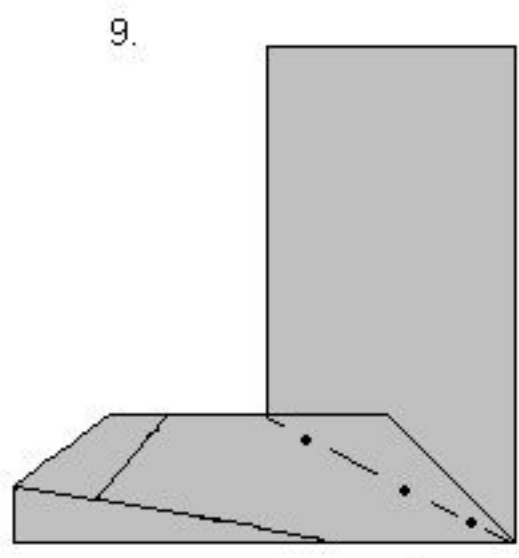
Tuck front layer of back leg  
 behind the next layer.  
 Repeat Behind.



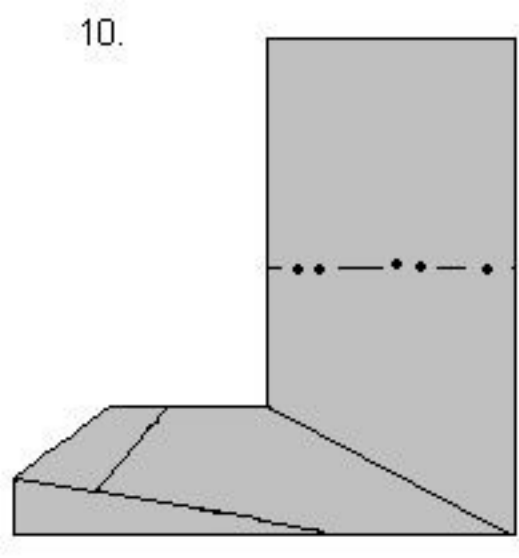
7b. View of the model after the tuck.



8. Sink fold, less than halfway.



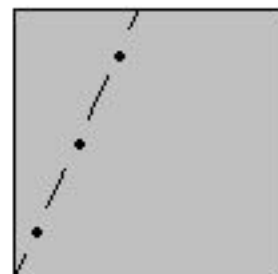
9. Tuck flap inside. Repeat inside.



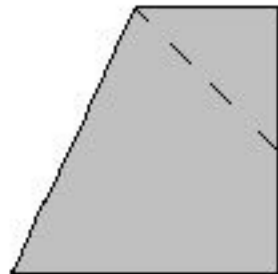
10. Inside reverse fold.



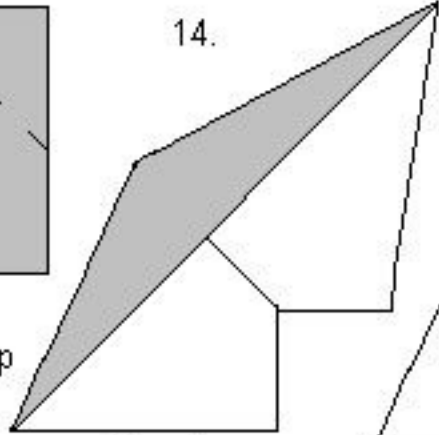
11. Valley fold flap. Repeat behind.



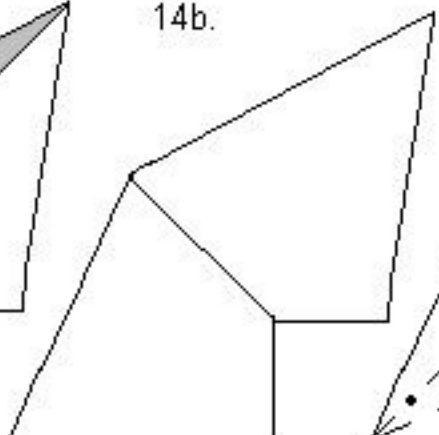
12. Reverse fold. Repeat behind.



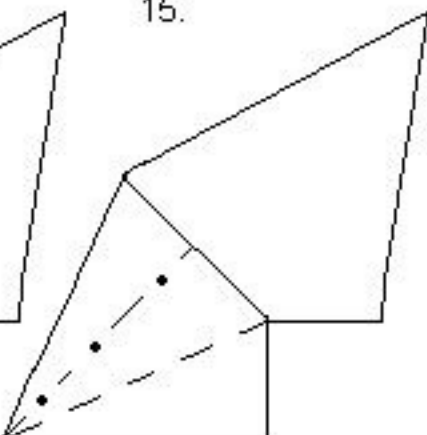
13. Wrap layer up all the way around.



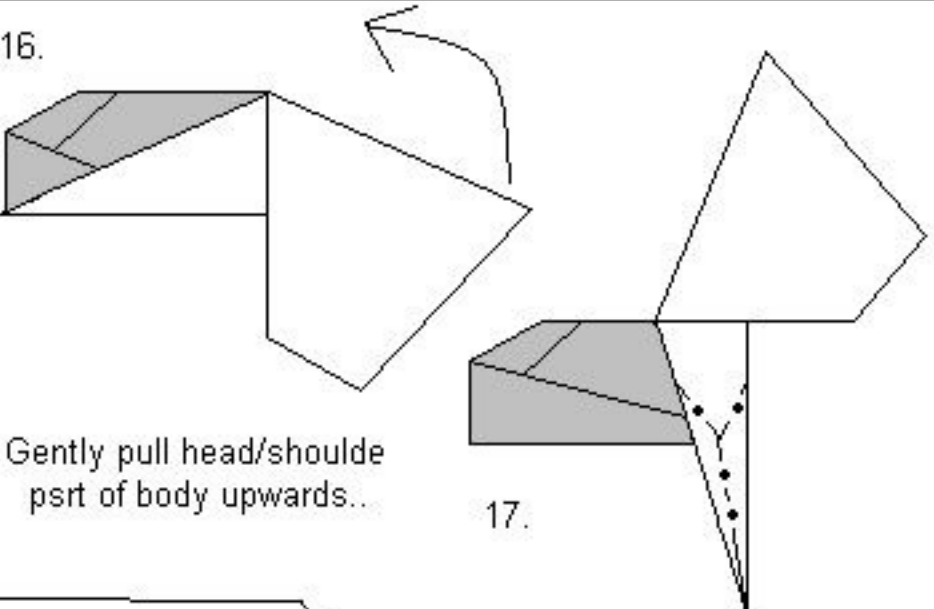
14. Wrap layer around. Repeat behind.



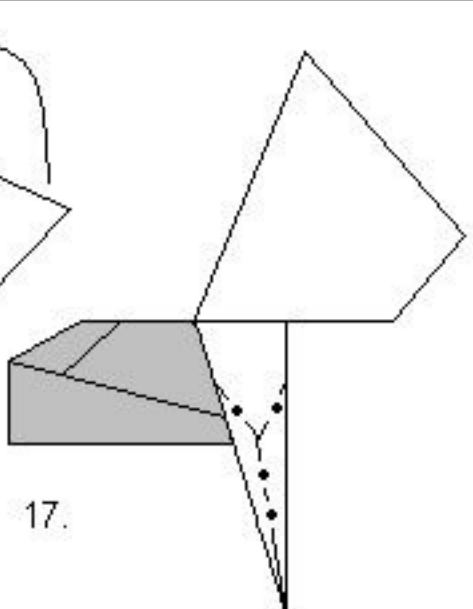
14b. Finished view of wrap.



15. Reverse folds.

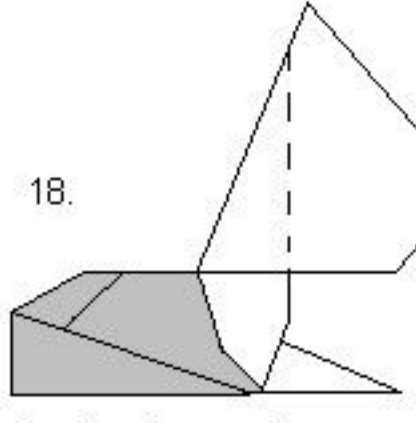


16. Gently pull head/shoulder part of body upwards...

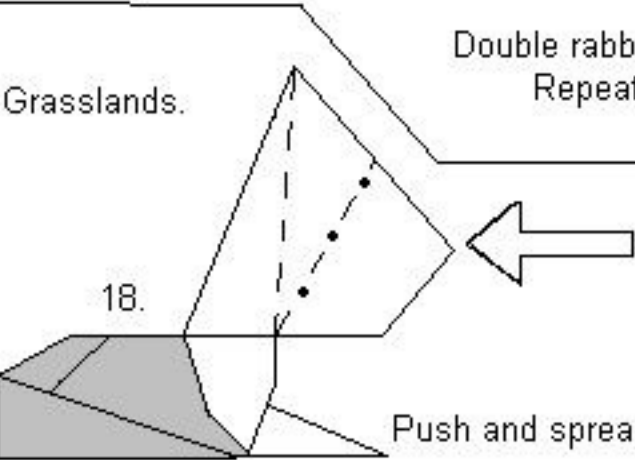
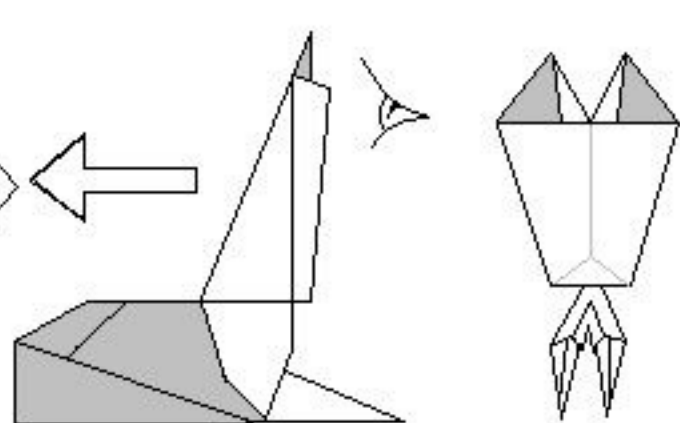


17. Double rabbit ear front leg. Repeat behind.

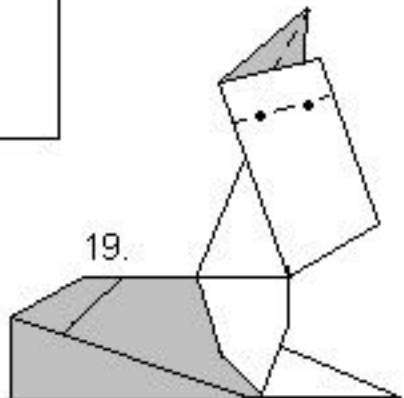
Feline



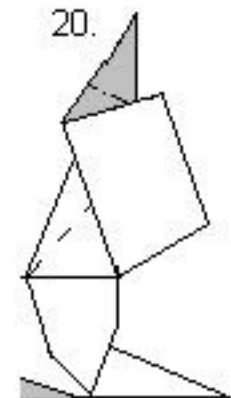
18. Push and spread.



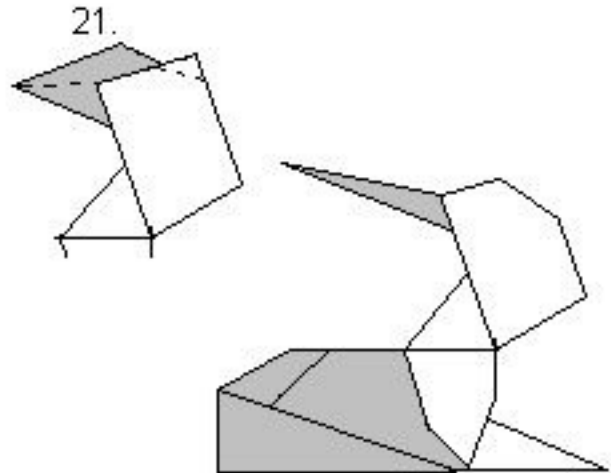
18. Push and spread.



19.



20.



21.